

### 5356 CATCH BASIN INLET

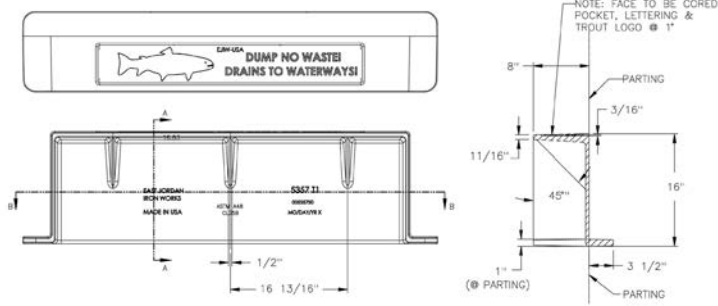
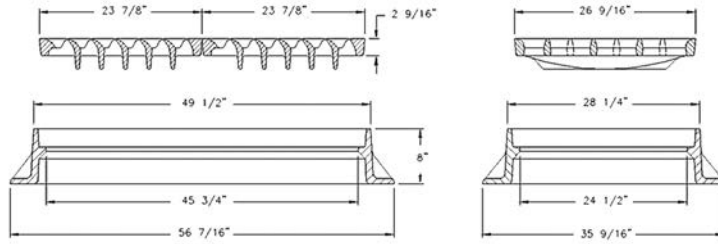
Heavy duty  
 Accepts 5355 grates  
 With Type M5 vane grate  
 Approximate 514 sq. in. of open area

**Options**

- Available with 3 or 4 flange frames
- Bolted assembly
- Adjusting risers
- Steel frames
- Steel grates
- 5357 T1 4' hood — with "DUMP NO WASTE" lettering and fish image



4 flange frame  
 Illustrated



Optional T1 Hood

Supplied By:



877-903-7246

www.trenchdrainsupply.com

